

# Horizontal adjustable webbing

## AE 320

safety horizontal webbing

EN 795 Class B



Ref.: AE 320 10 - max. 10 m

Ref.: AE 320 20 - max. 20 m

Other lengths on request.

1. Adjustable length

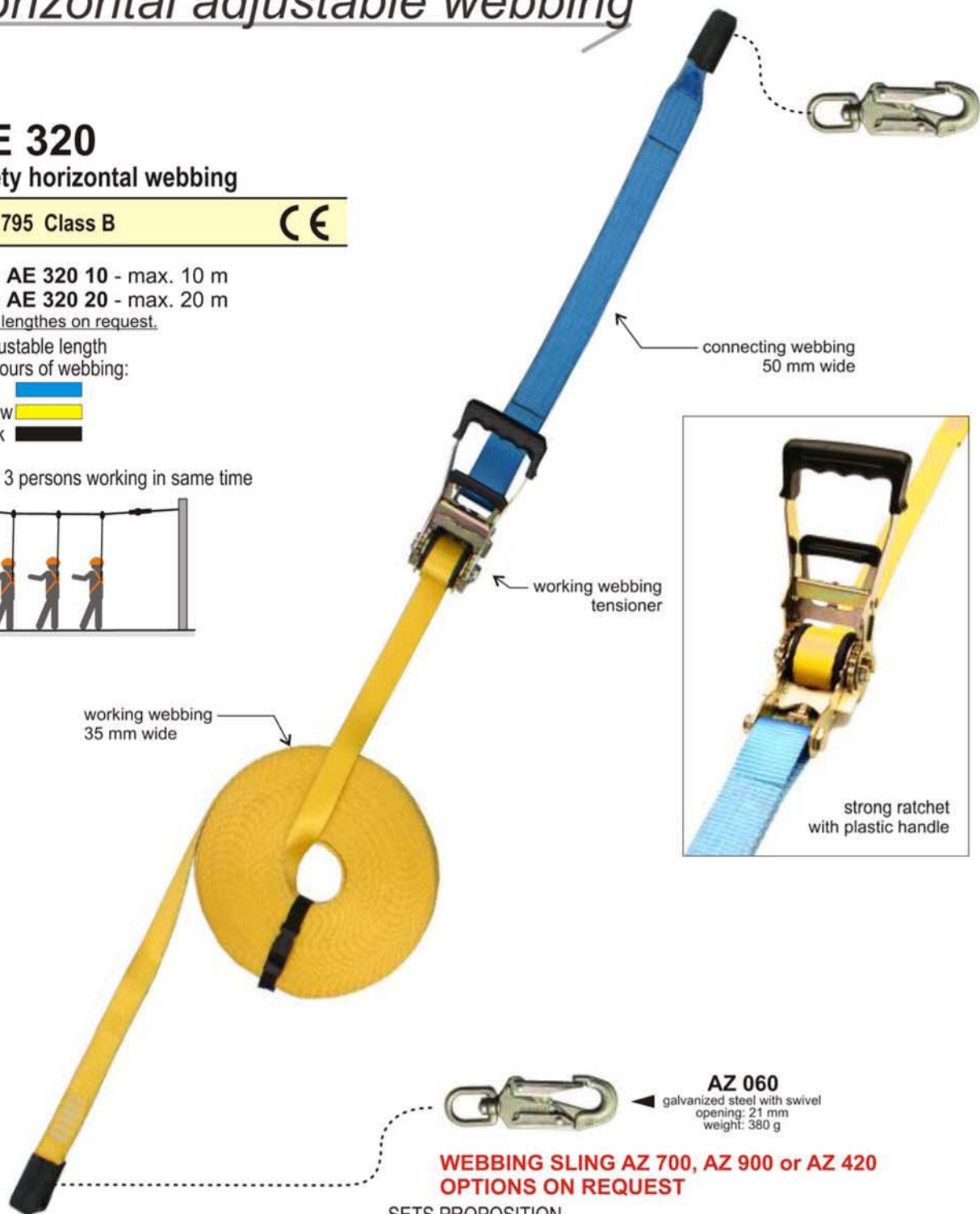
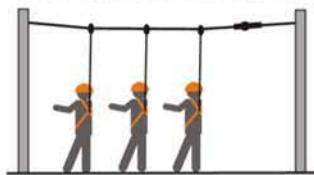
2. Colours of webbing:

- blue 

- yellow 

- black 

3. For 3 persons working in same time



connecting webbing  
50 mm wide

working webbing  
tensioner

working webbing  
35 mm wide

strong ratchet  
with plastic handle

**AZ 060**  
galvanized steel with swivel  
opening: 21 mm  
weight: 380 g

**WEBBING SLING AZ 700, AZ 900 or AZ 420  
OPTIONS ON REQUEST**

### SETS PROPOSITION

Sewed bag for AE 320 - sewed to connecting webbing

Separate bag for AE 320 made of PVC



ref.: AX 050  
Other colours of the bags on request



ref.: AX 011  
Other colours of the bags on request